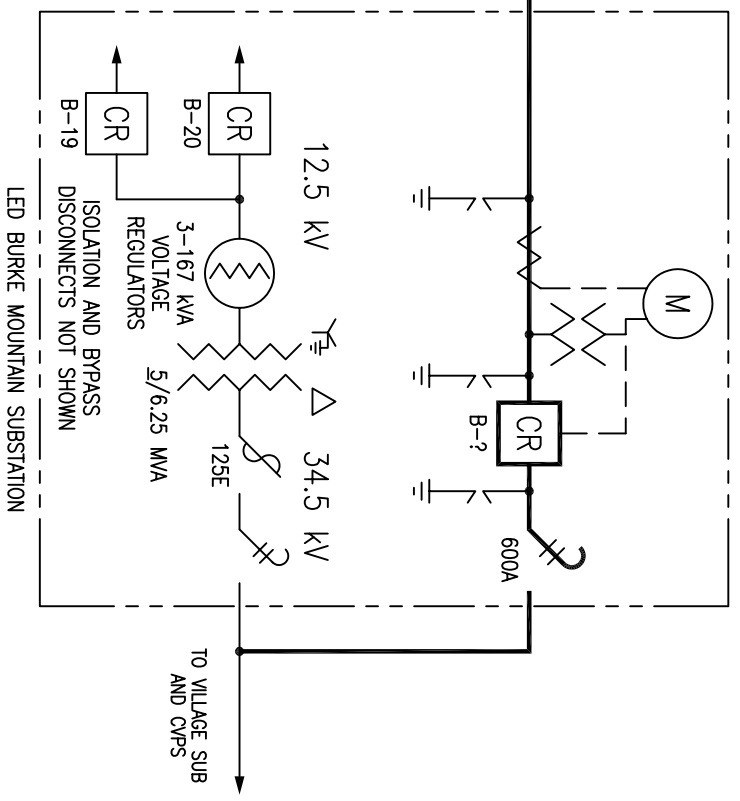
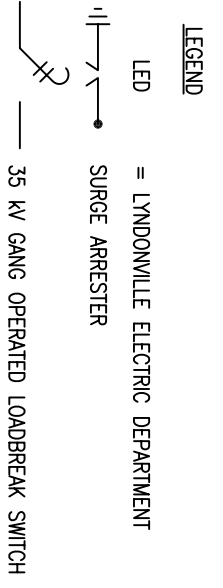


PERMITTING LEVEL DESIGN
 NOT FOR CONSTRUCTION
 11/17/03

- NOTES:**
1. LED OPERATES A THREE WIRE 34.5 kV TRANSMISSION SYSTEM. THIS PRELIMINARY DESIGN IS BASED ON A THREE WIRE SYSTEM (NO GROUND SOURCE AT WIND FARM).
 2. BI-DIRECTIONAL METERING OUTPUT FROM BURKE MT. SUB TO BE TELEMETERED TO VELCO.
 3. ACTUAL WIND FARM ONE LINE, TRANSFORMER CONNECTIONS AND EQUIPMENT RATINGS MUST BE SUBMITTED TO LED FOR APPROVAL PRIOR TO ORDERING EQUIPMENT.



DATE	BY	NO.	REVISIONS
11/17/03	AMR	0	ISSUED TO ACCOMPANY PERMITTING DOCUMENTS

PLM ELECTRIC POWER ENGINEERING		35 MAIN STREET (508) 435-0200/SPRINGTON, MA 01748	
DESIGN	CLIP	VILLAGE OF LYNDONVILLE ELECTRIC DEPARTMENT	
APP'D	AMR	EAST HAVEN WIND FARM	
DATE	11/17/03	PRIMARY INTERCONNECTION	
SCALE	NONE	ONE LINE DIAGRAM	
		(PRELIMINARY)	
		911911-OL1-0	